

Push Button Pendants

80 | 60 | 20 Series



Contents

Conductix-Wampfler Push Button Pendants	3
80 Series (2 to 24 Buttons)	4-17
80 Series Features	4
Custom Pendant Order Sheet	5
Standard Configurations	6-7
Dimensions	8
Enclosures	8
Bushings	8
Switches	9-14
Accessories & Spare Parts	15
Jumpers	15
Legend Sheets	16
80 Series Pistol Grip	17
60 Series	18-22
60 Series Features	18
Complete Pendants and Switch Configurations	19
Dimensions	20
Switches	21
Cable Bushings	21
Legends	21
60 Series Pistol Grip	22
20 Series Pistol Grip	23
Pendant Cable & Accessories	24
Pendant Cable	24
Strain Relief Cable & Hardware	24
Quick Disconnect Plugs	24
Terms and Conditions	25
Conductix-Wampfler Radio Controls	26
Other Conductix-Wampfler Products	27
Conductix-Wampfler Contact Information	28

Don't see what you need? Give us a call!

Push Button Pendants

Conductix-Wampfler has assembled ergonomic, high quality Push Button Pendants since the early 1990's.

We offer dozens of standard push button pendant configurations to suit the unique needs of demanding industrial users. These modular push button units are assembled from stocked components for quick delivery and are competitively priced.

The experienced engineering and sales people at Conductix-Wampfler are experts in the application of Push Button Pendants to all kinds of industrial applications

As an alternative to hard-wired "pendant stations", Conductix-Wampfler also offers radio remote controls. Please refer to catalog CAT1002 or contact the factory for more information.

All Conductix-Wampfler plants in the United States, Germany, France, and Italy are ISO 9001:2000 certified. Our stringent quality systems assure that you will get the right product every time. See Pg. 27 for a summary of our other fine products.

Conductix-Wampfler in the USA, headquartered in Omaha, NE, started as "Industrial Electric Reels" (IER) and later merged with "Insul-8 Corporation", after relocating the Insul-8 plant to Harlan, IA. In 2006, the company, part of the Delachaux Group since 1975, was renamed "Conductix".

In 2007, with the merger of Conductix and Wampfler, the company is now the world leader in the design and manufacture of high performance energy and data transmission products for industrial applications.



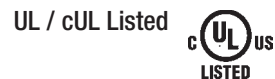
80 Series

Ergonomic; Accommodates from 2 to 12 buttons. Many configurations. High-impact NEMA 4X case with Neoprene-booted buttons. 2 and 3 button Pistol Grip versions available.



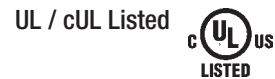
60 Series

Economical 2 or 4 button pendant. A 2-button Pistol Grip version is also available. High-impact NEMA 4 case.



20 Series

For direct control over small single phase motors at 120 or 240 volts. Durable NEMA 4 housing.



Pre-Wiring Option

All pendants shown in this catalog can be ordered pre-wired. Contact the Factory for details!



80 Series Push Button Pendant Features

The Conductix-Wampfler 80 Series Push Button Pendants are available with a wide variety of switch types, options, and accessories for easy customization. You can get from 2 to 12 buttons in a standard configuration or up to 24 buttons in a duplex configuration.

80 Series Pendants are ideal for:

- Overhead crane control
- Monorail and hoist control
- Conveyor and elevator control
- Workstations
- Assembly lines
- Other industrial machines

Enclosure Features:

- High impact, yellow ABS enclosure
- Two-piece design to simplify field wiring
- Rated NEMA 4X (IP65); indoor or outdoor use
- Shock resistant to 100 g.
- Double-insulated to withstand 2500V
- UL/cUL Listed



General Switch Features:

- One, two, and three-speed operators
- Silicon-booted buttons
- Easy-force buttons with positive detents for speed selections
- Switch contacts rated at 5 A (at 120 VAC)
- 5° F to 160° F (-15° C to 70° C) operating temperature range
- 5A @ 120VAC & 240VAC, 2A @ 24VDC & 12VDC, & .4A @ 120VDC

Cable Packing Gland

Furnished with bushing available in 16 sizes; assures water tight seal.

Lamp & Horn Switch

Knock-out holes in .47 inch (12mm) and .75 inch. (19mm) diameters. Available for a lamp and horn switches on 6 through 12 button enclosures.

Fasteners

Self-captive stainless steel hardware and threaded inserts in housing to prevent thread stripping.

Buttons

Silicone Rubber booted buttons. Seals out dirt and moisture. Available in red, green, and black.

Jumpers

Included with all pre-assembled pendants - See Pg. 16.

Cable Bushings

Available in 10 sizes from 0.30 in. to 1.16 inches (7.5mm to 29.5mm).

Bushing Collar

Three sizes for cable diameters from 0.30 inches to 1.16 inches (7.5mm to 29.5mm).

Hanger Ring

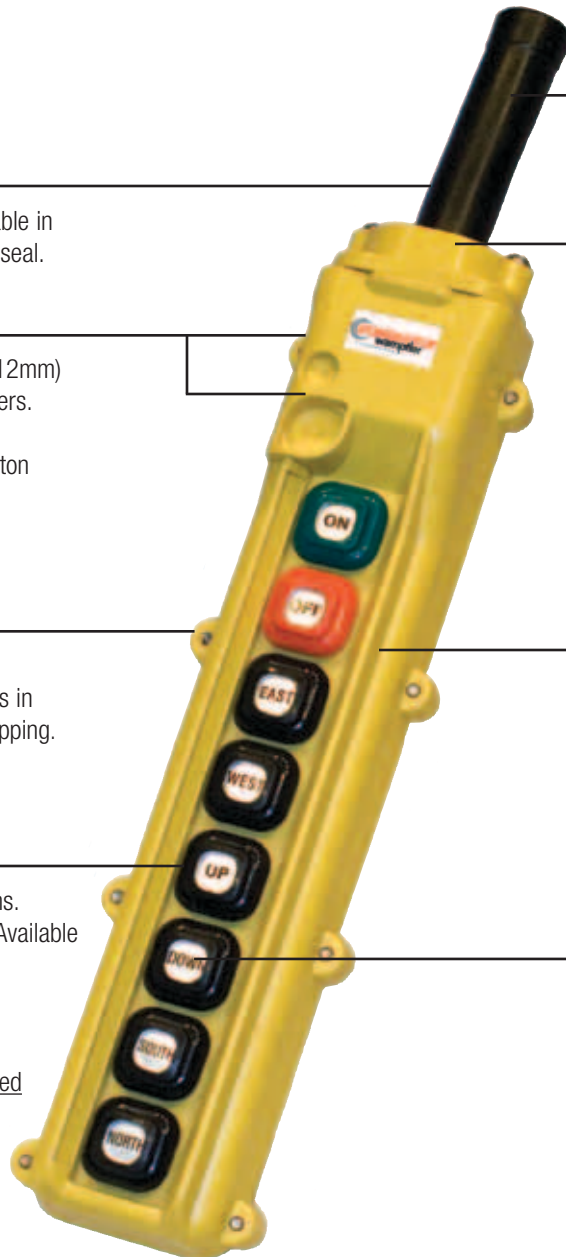
Located on the back of the bushing collar. For external strain relief connection. 'S' hook is available for strain relief cable connection - see Pg. 15.

Enclosure

Ergonomic design, visible safety yellow, shock and vibration resistant, rugged ABS, 2 through 12 button. Standard Back or Deep Back styles. Two piece enclosure simplifies field wiring.

Button Legends

Standard button legends are included. Vertical, selector, and mushroom legends are also available.



Complete 80 Series Push Button Pendants



Part No. 34227 Shown

All Pendant Stations are fully assembled and include enclosure, operators, cable bushing, "S" hook and button legend sheet. Contact Conductix-Wampfler or your local representative for custom pendant stations. Jumpers included on assembled pendants only.

No. of Buttons	Switch Arrangement	Complete Unit Part No.	Bushing Part No.
2	Momentary On/Off (Red, Green)	34212	34411
2	Maintained On/Off (Red, Green)	34213	34411
2	Two 1-Speed	34214	34411
2	Two 2-Speed	34215	34411
2	Two 3-Speed	34216	34411
4	Two 1-Speed, With Momentary On/Off (Red, Green)	34217	34412
4	Two 1-Speed, With Maintained On/Off (Red, Green)	34218	34412
4	Two 2-Speed, With Momentary On/Off (Red, Green)	34219	34412
4	Two 2-Speed, With Maintained On/Off (Red, Green)	34220	34412
4	Two 3-Speed, With Momentary On/Off (Red, Green)	34221	34412
4	Two 3-Speed, With Maintained On/Off (Red, Green)	34222	34412
4	Four 1-Speed	34223	34412
4	Four 2-Speed	34224	34412
4	Four 3-Speed	34225	34412
6	Four 1-Speed, With Momentary On/Off (Red, Green)	34226	34413
6	Four 1-Speed, With Maintained On/Off (Red, Green)	34227	34413
6	Four 2-Speed, With Momentary On/Off (Red, Green)	34228	34413
6	Four 2-Speed, With Maintained On/Off (Red, Green)	34229	34413
6	Four 3-Speed, With Momentary On/Off (Red, Green)	34230	34413
6	Four 3-Speed, With Maintained On/Off (Red, Green)	34231	34413
6	Six One Speed	34232	34413
6	Six Two Speed	34233	34413
6	Six Three Speed	34234	34413
8	Six 1-Speed, With Momentary On/Off (Red, Green)	34235	34413
8	Six 1-Speed, With Maintained On/Off (Red, Green)	34236	34413

Complete 80 Series Push Button Pendants



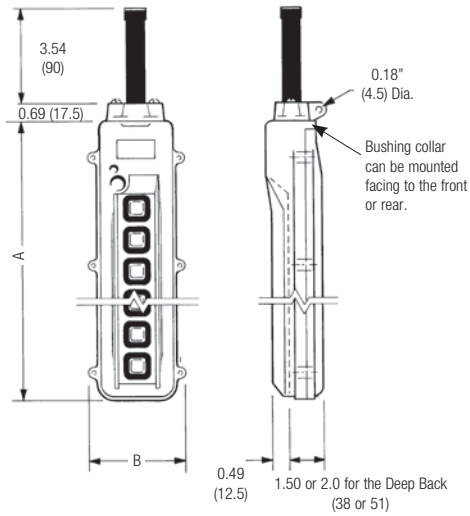
Part No. 34227 Shown

All Pendant Stations are fully assembled and include enclosure, operators, cable bushing, "S" hook and button legend sheet. Contact Conductix-Wampfler or your local representative for custom pendant stations. Jumpers included on assembled pendants only.

No. of Buttons	Switch Arrangement	Complete Unit Part No.	Bushing Part No.
8	Six 2-Speed, With Momentary On/Off (Red, Green)	34237	34413
8	Six 2-Speed, With Maintained On/Off (Red, Green)	34238	34413
8	Six 3-Speed, With Momentary On/Off (Red, Green)	34239	34413
8	Six 3-Speed, With Maintained On/Off (Red, Green)	34240	34413
8	Eight 1-Speed	34241	34413
8	Eight 2-Speed	34242	34413
8	Eight 3-Speed	34243	34413
10	Eight 1-Speed, With Momentary On/Off (Red, Green)	34244	39826
10	Eight 1-Speed, With Maintained On/Off (Red, Green)	34245	39826
10	Eight 2-Speed, With Momentary On/Off (Red, Green)	34246	39826
10	Eight 2-Speed, With Maintained On/Off (Red, Green)	34247	39826
10	Eight 3-Speed, With Momentary On/Off (Red, Green)	34248	39826
10	Eight 3-Speed, With Maintained On/Off (Red, Green)	34249	39826
10	Ten 1-Speed	34250	39826
10	Ten 2-Speed	34251	39826
10	Ten 3-Speed	34252	39826
12	Ten 1-Speed, With Momentary On/Off	34253	39826
12	Ten 1-Speed, With Maintained On/Off	34254	39826
12	Ten 2-Speed, With Momentary On/Off	34255	39826
12	Ten 2-Speed, With Maintained On/Off	34256	39826
12	Ten 3-Speed, With Momentary On/Off	34257	39826
12	Ten 3-Speed, With Maintained On/Off	34258	39826
12	Twelve 1-Speed	34259	39826
12	Twelve 2-Speed	34260	39826
12	Twelve 3-Speed	34261	39826

80 Series Pendant Enclosures and Bushings

Single Enclosures



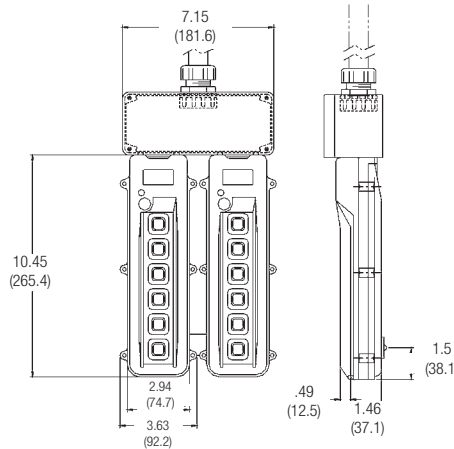
No. of Holes	"A" Dim.	"B" Dim.
2	4.49 (114)	3.07 (78)
4	7.09 (180)	3.07 (78)
6	10.31 (262)	3.23 (82)
8	12.68 (322)	3.23 (82)
10	15.24 (387)	3.43 (87)
12	17.60 (447)	3.43 (87)
12-24	Consult Factory	

COMPLETE ENCLOSURE (FRONT AND BACK) (For different size bushings order from below)

# of Button Holes	Enclosure Depth	Inlet Size	Cable Diameter Range Inches (mm)	Part No.	Inlet Diagram
2	Standard	Small	.31 - .83 (8 - 21)	34274	
4	Standard	Small	.31 - .83 (8 - 21)	34275	
6	Standard	Small	.31 - .83 (8 - 21)	34276	
8	Standard	Small	.31 - .83 (8 - 21)	34280	
6	Standard	Large	.87 - 1.10 (22 - 28)	34278	
8	Standard	Large	.87 - 1.10 (22 - 28)	34282	
10	Standard	Large	.87 - 1.10 (22 - 28)	34286	
12	Standard	Large	.87 - 1.10 (22 - 28)	34290	
6	Deep Back	Small	.31 - .83 (8 - 21)	34277	
8	Deep Back	Small	.31 - .83 (8 - 21)	34281	
6	Deep Back	Large	.87 - 1.10 (22 - 28)	34279	
8	Deep Back	Large	.87 - 1.10 (22 - 28)	34283	
10	Deep Back	Large	.87 - 1.10 (22 - 28)	34287	
12	Deep Back	Large	.87 - 1.10 (22 - 28)	34291	

Duplexed Enclosures

For details on pendants up to 24 buttons, contact the factory.



Enclosure Bushings

Correctly sized bushings are necessary to prevent moisture from getting inside of the enclosure. Order based on cable O.D. and the part number of the enclosure the bushing is to be used on.

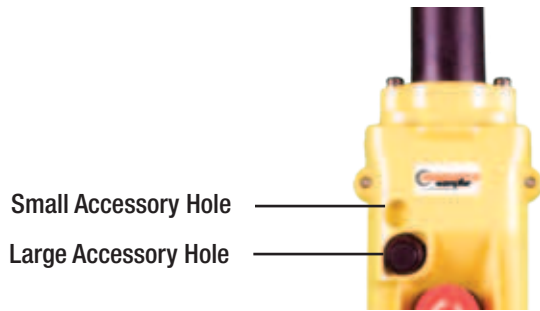
For Enclosures 34274, 34275, 34276, 34280, 34277, & 34281:

Cable Size Range inches (mm)	Cable Bushing Part No.
.30 - .41 (7.5 - 10.5)	34411
.41 - .53 (10.3 - 13.5)	34412
.52 - .65 (13.3 - 16.5)	34413
.64 - .77 (16.3 - 19.5)	34414

For Enclosures 34278, 34282, 34286, 34290, 34279, 34283, 34287, & 34291:

.52 - .65 (13.3 - 16.5)	39825
.64 - .77 (16.3 - 19.5)	39826
.76 - .89 (19.3 - 22.5)	34415
.88 - 1.00 (22.3 - 25.5)	34416
1.00 - 1.12 (25.3 - 28.5)	34417
1.11 - 1.16 (28.3 - 29.5)	34418

Pilot Lights & Horn Switches



Pilot Light - Small



Red, 12 mm diameter, for use with 6, 8, 10 and 12 button enclosures. Fits into small accessory hole in enclosure, not button space.

Part No.	Voltage	No. of Wires*
36087	12 VDC	1

Pilot light - Large



Red neon light, 19 mm diameter, for use with 6, 8, 10 and 12 button enclosures. Fits into large accessory hole in enclosure, not button space. [Note: These can be installed at the “small hole” location, but in that location, must be factory installed.]

Part No.	Voltage	No. of Wires*
36088	12 / DC	1
36081	24 DC / AC	1
34316	110 / AC	1

Momentary Push Button Horn Switch



22mm diameter, for use with 6, 8, 10 and 12 button enclosures. Fits into large hole in enclosure, not button space.

Part No.	Resistive Load (Volts)	Amperage	No. of Wires*
34312	125 / AC	6	1
	250 / AC	3	1

Pilot Light



19 mm diameter; takes up one button space.

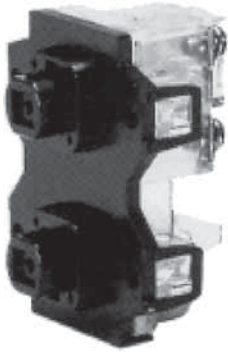
Part No.	Voltage	No. of Wires*	Colors Available
35181**	12 / DC	2	R, A, G
36042**	24 VAC / VDC	2	R, G, B
34303**	110 / AC	2	R, A, G
36882	110 / AC	2	B

* Typical wiring - for general information only. Number of wires will vary depending on the wiring method used.

** Insert Light Color: R=Red, G=Green, A=Amber B=Blue
Example: 35181G = 12V DC Green light.

80 Series Pendant Switches

Maintained On/Off



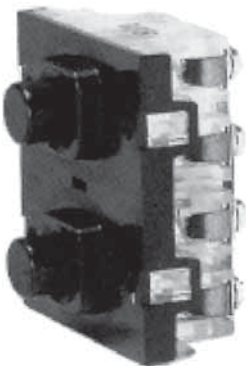
Part No.	No. of Wires*	Contact Configuration
34292	1	
34293	1	

Momentary Non-Interlocking



Part No.	No. of Wires*	Contact Configuration
34308	2	
34309	2	
34310	2	

Dual Pole Momentary with Mechanical Interlock

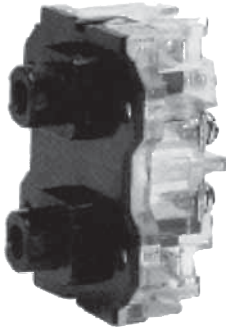


Part No.	No. of Wires*	Contact Configuration
34321	4	
34322	4	

* Typical wiring - for general information only. Number of wires will vary depending on the wiring method used.

80 Series Pendant Switches

Momentary 1-Speed with Mechanical Interlock



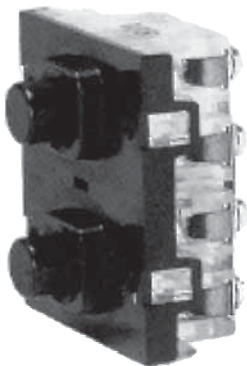
Part No.	No. of Wires*	Contact Configuration
34294	2	
34295	2	

Momentary Single Button



Part No.	No. of Wires*	Contact Configuration
34305	1	
34306	1	
34307	2	
37114	2	
37199	2	

Momentary 2-Speed with Mechanical Interlock

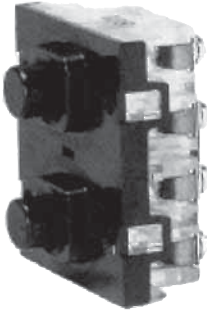


Part No.	No. of Wires*	Contact Configuration
34296	3	
34297	3	
34298	3	Same as 34297, but with delayed opening of contacts 7 & 8 "Break Before Make" contact arrangement

* Typical wiring - for general information only. Number of wires will vary depending on the wiring method used.

80 Series Pendant Switches

Momentary 3-speed with Mechanical and Electrical Interlock



Part No.	No. of Wires *	Contact Configuration
34323	4	

Maintained Multi-Position Selector Switch 2 position and 3 position

Other configurations available - contact factory.




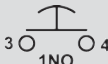
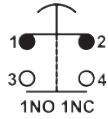
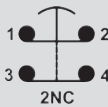
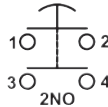
Part No.	No. of Wires*	Contact Configuration
37107	1	
37108	1	
34317	2	
34318	2	
34319	2	
34320	2	
37109	2	
37110	2	

* Typical wiring - for general information only. Number of wires will vary depending on the wiring method used.

80 Series Pendant Switches

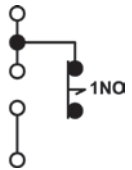
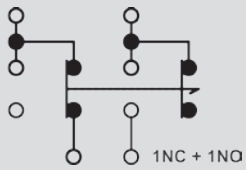
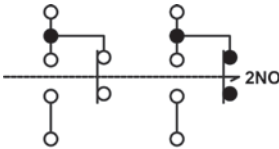
Push Lock Twist-Release Mushroom Switch



Part No.	No. of Wires*	Contact Configuration
34313	1	
37122	1	
37123	2	
37124	2	
37125	2	

Alternating Push Button Switch



Part No.	No. of Wires*	Contact Configuration
34299	1	
34300	1	
37126	2	

* Typical wiring - for general information only. Number of wires will vary depending on the wiring method used.

80 Series Pendant Switches

Toggle switch



Note: Deep back enclosure required.

Part Number	No. of Wires*	Contact Configuration
34301	1	
34302	2	
37127	2	

Variable Position Resistor



Max. Resistance (ohms)	Part No.	No. of Wires*	Contact Configuration
1,000	34314B	2	
2,000	34314D	2	
5,000	34314	2	
10,000	34314C	2	

Blank plate



Part No.
34304

* Typical wiring - for general information only. Number of wires will vary depending on the wiring method used.

80 Series Accessories, Spare Parts, and Jumpers

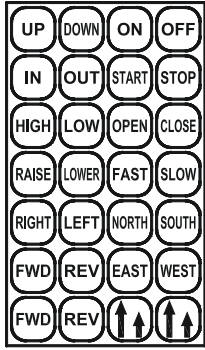


Item	Description	Part No.
Strain Relief Clamp	For Enclosures 34274 and 34275	34626
Strain Relief Clamp	For Enclosures 34276 through 34291	34627
"S" hook hanger	For Pendant Cables with Strain Relief Cable	34332
Bushing Collar, Small	For Pistol Grip, Cable O.D. - .30 - .77" (7.5 - 19.5 mm)	34333
Bushing Collar, Medium	For 2, 4, 6, and 8 Button Enclosures, with "Standard" inlet. Cable O.D.: 0.30" - 0.77" (7.5 - 19.5mm)	50920
Bushing Collar, Large	For 8, 10, and 12 Button Enclosures with "Large" inlet. Cable O.D.: 0.76 - 1.16 (19.3 - 29.5mm)	34334
Switch Boot	Red	34328
Switch Boot	Black	34329
Switch Boot	Green	34330
Switch Boot Cover	Clear	34331
Deep Back Cover**	2 Button Enclosure	34864
Deep Back Cover**	4 Button Enclosure	34866
Deep Back Cover**	6 Button Enclosure	36029
Deep Back Cover**	8 Button Enclosure	36030
Deep Back Cover**	10 Button Enclosure	36032
Deep Back Cover**	12 Button Enclosure	36033

** Includes the back over piece only

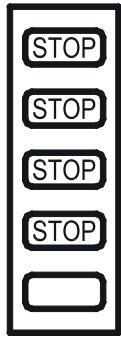
Jumpers (Used On One Switch)	Jumpers (Used From Switch to Switch)	Part No.	Jumper Label
On switch 34294 and 34295 to connect terminals 1 and 5.	To connect common between standard back selector, keyed, and mushroom switches.	34759	J80-01
	To connect between 1-speed, 2-speed, 3-speed, and ON/OFF switches.	34760	J80-02
On all 2-speed switches to connect terminal 6 to 4 and 14 to 16.	For connecting common between 2-speed switches by connecting terminal 16 of one switch to terminal 6 of adjacent switch.	34761	J80-03
	On all 3-speed switches to connect terminal 18 of two adjacent 3-speed switches and to connect terminal 8 of two adjacent 3-speed switches.	35538	J80-04
	To connect common of a maintained ON/OFF switch to adjacent 1-speed, 2-speed, or 3-speed switch.	35000	J80-06
	To connect common between terminal 6 of any 1-speed or 2-speed to terminal 16 of a 3-speed switch.	35539	J80-07
On 2-speed switches to connect terminal 5 to 15.		34992	J80-12
On momentary ON/OFF switches to connect terminal 2 to 6.		35541	J80-13
On 3-speed switches to connect terminals 1, 3, 5, & 17 and to connect terminals 7, 11, 13, & 15.		35544	J80-16

80 Series Legend Sheets

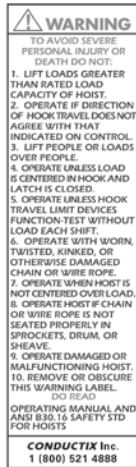


Button Legend - 34326

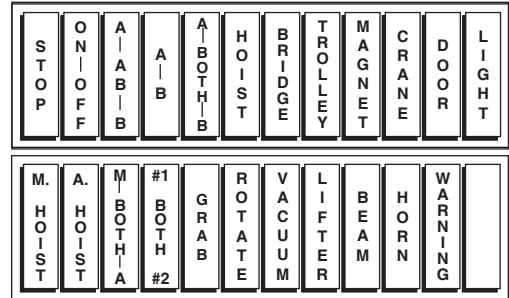
Legend/Sticker	Usage	Part No.
Button Legend	For push button marking. One sheet is automatically included with each pre-assembled pendant	34326
Mushroom Switch Legend	For mushroom switches	35299
Warning Sticker		35373
Vertical Legend	For case marking (Contact Factory for legends sheets not listed.)	34327
Selector Switch Sheet #1	For case marking of selector switches	35300
Selector Switch Sheet #2	For case marking of selector switches	37228



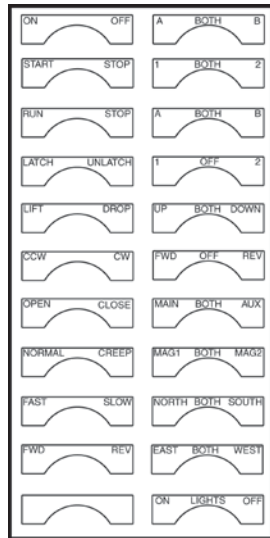
Mushroom Switch Legend - 35299



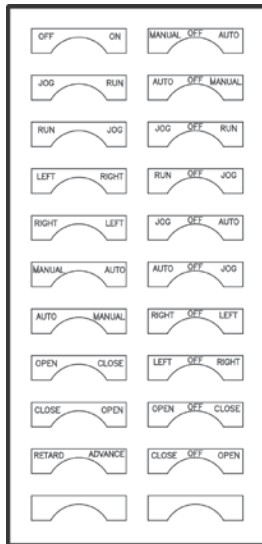
Warning Sticker - 35373



Vertical Legend - 34327



Selector Switch Legend #1 - 35300



Selector Switch Legend #2 - 37228

80 Series Pistol Grip

80 Series Pistol Grip



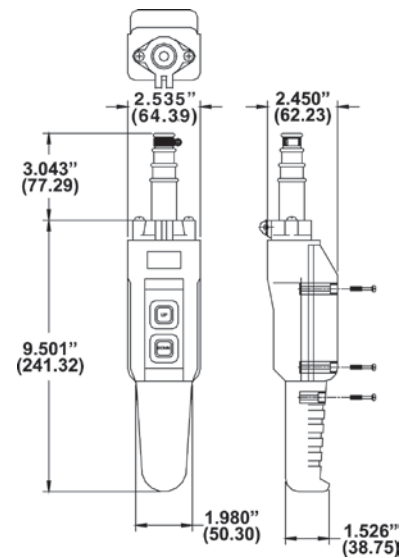
The Conductix-Wampfler 80 Series Pistol Grip Pendants feature a compact, ergonomic design with the operator's comfort in mind. They are available with 1, 2, or 3 speed buttons. It is equipped to accommodate either internal or external strain relief cable.

UL/cUL Listed 

Features:

- High impact, yellow ABS enclosure
- Multi-diameter cable bushing inlet
- Rated NEMA 4 (IP65); indoor or outdoor use

Speed	Part No.
1	COB81PB
2	COB81P
3	COB81PC

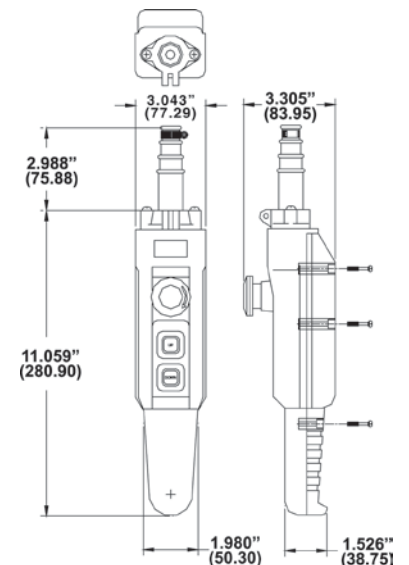


80 Series Pistol Grip, with 3 Button Holes



Same as the COB81, except that the top hole in the COB81.5P unit has an emergency stop button.

Speed	Part No.
1	COB81.5PB
2	COB81.5P
3	COB81.5PC



60 Series Pendant Features

Conductix-Wampfler's 60 Series Pendant is designed for one hand, ergonomic operation in an economical package. The pendant is available in 2 or 4 button configurations with single-speed, silver-contact switches. First operator switch can be supplied with UNB maintained ON-OFF switch upon request. All 60 Series pendants come pre-assembled.

UL/cUL Listed; File # 193531



60 Series Pendants are ideal for:

- Overhead crane control
- Workstations
- Monorail and hoist control
- Conveyor & Elevator Control

Features

- Compact, high visibility orange enclosure
- NEMA 4 enclosure rating
- Ultra-long service life
- Contacts rated 5A at 250VAC
- 5°F to 160°F (-15°C to 70°C) operation
- 100g shock resistant



COB62

60 Series - Complete Pendants

Complete Pendants



All switch terminals have 4mm screws. All pendants have standard cable bushing internal diameter (mm). CBVS (dia. 8-16 stepped)

Switch Ratings:

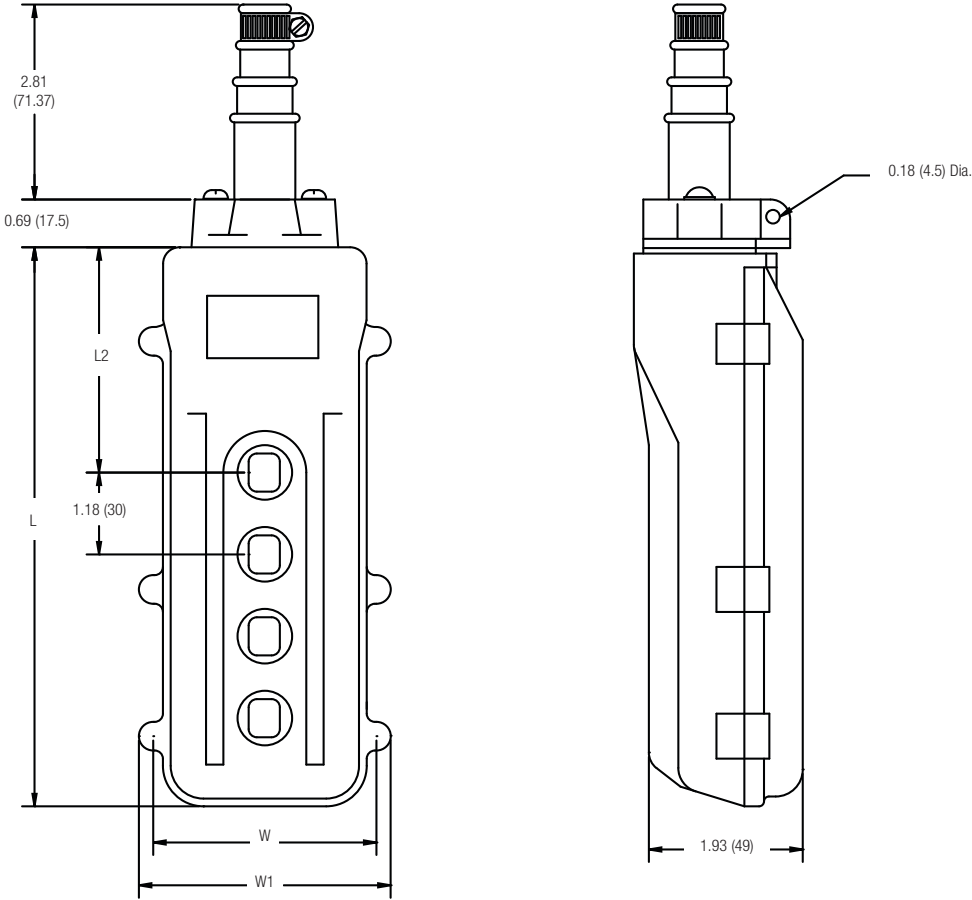
- 5A (24 VAC, 120 VAC, 250VAC. 500 VAC)
- 2 A (24 VDC)
- 0.4 A (120 VDC)



COB61

Number of Buttons	A	Part No.	Standard Cable Bushing	Switch Configurations
2 (1 pair)	All single speed	COB61	CBVS (8 to 16 mm stepped)	
4 (2 pair)	All single speed	COB62	CBVS (8 to 16 mm stepped)	 <pre> graph TD A(()) --- B(()) B --- C(()) C --- D(()) D --- E(()) E --- F(()) A --- G[UP] C --- H[DOWN] E --- I[EAST] F --- J[WEST] </pre>

60 Series Dimensions



COB62 shown

Dimensions in inches (mm)

Dimension	Model COB61	Model COB62
L	4.45 (113)	7.25 (184.2)
L2	2.13 (54.1)	2.63 (66.8)
W	2.31 (58.7)	2.42 (61.5)
W1	2.77 (70.4)	3.05 (77.5)

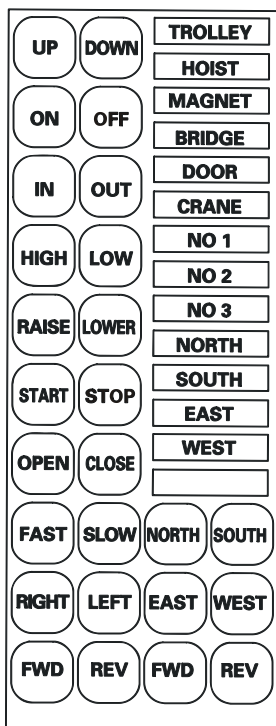
60 Series Bushings, and Legend

Cable Bushings

Standard "CBVS" bushing is provided unless otherwise specified at time of order entry.

Type	Applicable cable diameter in. (mm)	Part No.
Stepped	.31 - .62 (8 to 16)	CBVS
One size	.68 - .72 (17.2-18.3)	C18

Legend Sheet



Part No.	Description
304COBLS	Legend Sheet

Part No.	Description
304COBCV	Clear button covers

60 Series Pistol Grip Pendant

Comfortable, ergonomic design weighing only 10 oz and measuring only 2" wide. The Series 60 Pistol Grip has "easy-force", single speed switches with a 5A / 125 V contact block; standard "up/down" labeling. Other labels are available. Switches have been tested to withstand over one million operations.

UL / cUL listed; File E193531



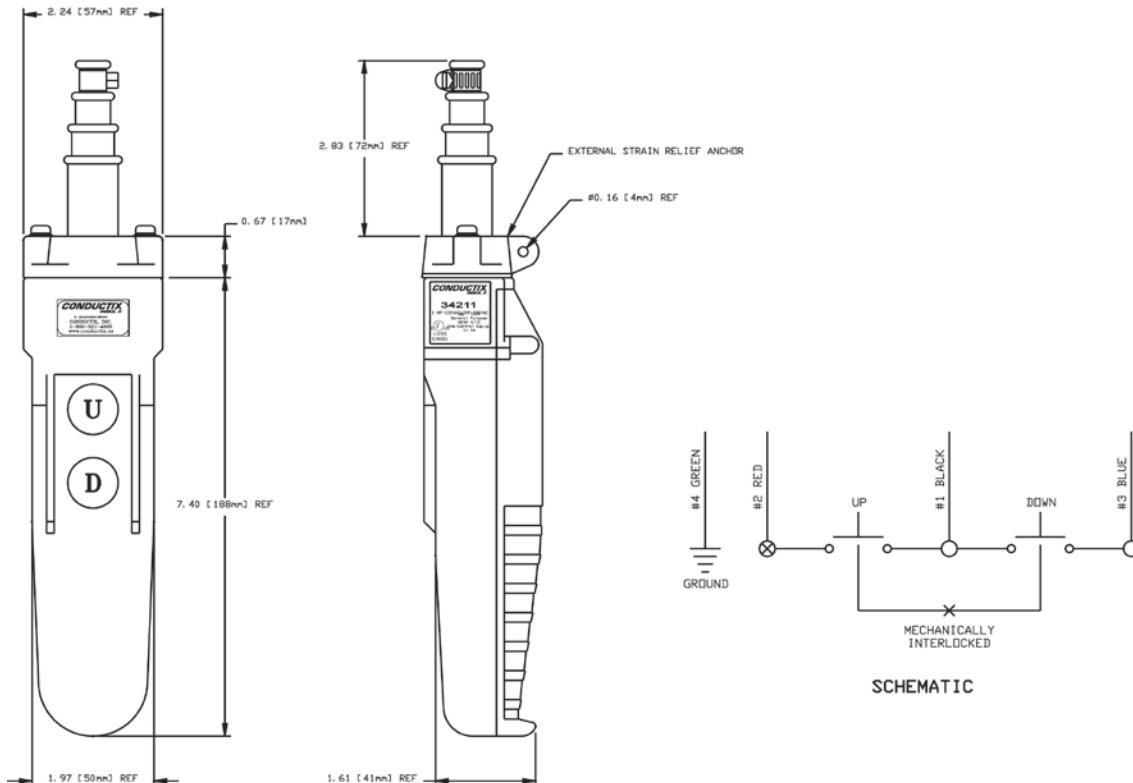
Features:

- High-impact yellow ABS enclosure
- Waterproof NEMA 4 rating; indoor use only
- Internal and external strain relief
- Variable dia cable bushing inlet with clamp
- Ambient Temperature: 5°F to 160°F (-15°C to +50°C)
- Vibration Resistance: 10g from 10-55 Hz

Part No.	Max Amps	Max. Volts AC
34211	5	125

Part No.	Description
304C0BCV	Clear button covers

Series 60 Pistol Grip Dimensions



20 Series Pendant

Slim compact design suited for one-hand operation. Insulated for operator safety. Designed for direct control of single phase electric motors up to 1 HP @ 120 VAC or 2 HP @ 230VAC. Since motor current is controlled directly by the pendant switch, extra reversing contactors or costly controls are not required.

UL/cUL Listed File E193531 

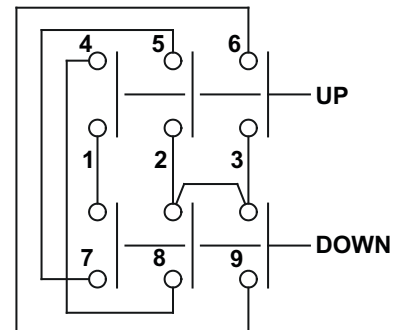
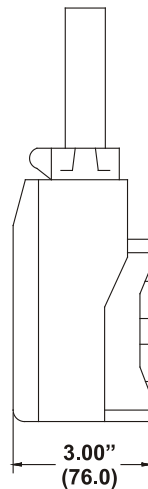
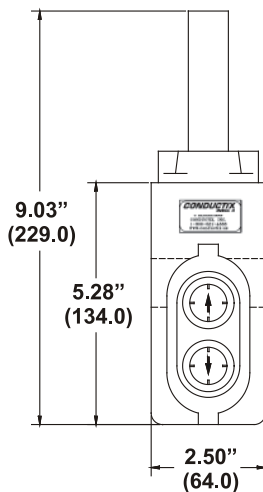


Features:

- Durable orange ABS pendant switch housing
- NEMA 4 water-proof enclosure
- Split case design for easy installation and wiring
- Flexible cable boot selection to match size of cable prevents entry of debris
- Two button switch with a wide range of legend markings
- Direct control ratings for 1HP max. @120 VAC (2HP @220 VAC)
- Electrical rating 25A resistive, 120 VAC (intermittent duty)

Part No.	HP Rating 120 VAC	HP Rating 220 VAC
35244	1	2

Part No.	Description
304C0BCV	Clear button covers



Bushings

Standard "CBVS" bushing is provided unless otherwise specified at time of order entry.

Type	Applicable cable diameter in. (mm)	Part No.
Stepped	.31 - .62 (8 to 16)	CBVS
One size	.68 - .72 (17.2-18.3)	C18

Pendant Cable, Strain Relief, and Quick Disconnect

Pendant Cable



CABLE 3/16 DIA NYL ST
(1/8 DIA W/O NYL).



Conductix-Wampfler Pendant Cable has a yellow jacket and is resistant to sunlight, oil, and water.

Temperature Rating:

- Without External Strain Relief: -10°C to 90°C (14°F to 194°F)
- With External Strain Relief: -10°C to 105°C (14°F to 221°F)



UL & CSA approved

Standard Pendant Cable Without Strain Relief

Size AWG	No. of Conductors	Part No.	Diameter Nominal	Wt lb/ft (kg/m)
16	8	83092	0.465" (11.81)	0.145 (0.02005)
16	12	83093	0.550" (13.97)	0.200 (0.02765)
16	16	83094	0.605 (15.37)	0.255 (0.03526)
16	24	83095	0.745" (18.92)	0.375 (0.05185)
16	30	83096	0.785 (19.94)	0.455 (0.06291)
16	36	83097	0.885 (22.48)	0.540 (0.07466)

Standard Pendant Cable WITH Attached Strain Relief

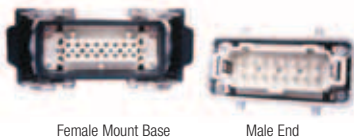
Size AWG	No. of Conductors	Part No.	Diameter Nominal	Wt lb/ft (kg/m)
16	8	35398	0.515" (13.08)	.210
16	12	35399	0.575" (14.61)	.260
16	16	35400	0.630" (16.00)	.330
16	24	35401	0.760" (19.30)	.430



Separate Strain Relief Cable and Hardware

Item	Description	Part No.
Separate Strain Relief Cable	3/16" Dia. Nylon Steel Cable (1/8" dia. w/o nylon) - 480 lbs. (217.72 kg) cap. Ordered in feet.	83098
Hardware Kit	Includes (2) Thimbles, (4) U-Clamps, and (1) Eye Bolt	83099
Hardware Kit	Used with cable 35398 thru 35401	36711

Quick Disconnect Plugs

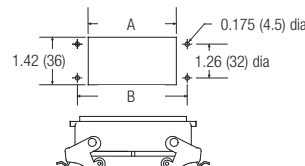


Female Mount Base

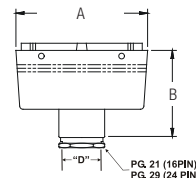
Male End

Changing out a pendant has never been easier with these Quick Disconnect plug sets. Many other styles of connectors are available; please contact the Factory.

Description	Part No.	"A" Dim	"B" Dim
Bulkhead Mount Base with 16 Pin Female Insert	37766	4.06 (106)	3.39 (86)
Bulkhead Mount Base with 24 Pin Female Insert	37767	4.41 (112)	5.12 (130)



Description	Part No.	"A" Dim	"B" Dim	"D" O.D.
Top Entry Hood with 16 Pin Male Insert	41030	3.68 (93.5)	2.28 (57.9)	0.39-0.75 (9.9-19.0)
Top Entry Hood with 24 Pin Male Insert	41032	4.72 (119.9)	3.58 (90.9)	0.70-1.06 (17.8-26.9)



Terms, Conditions, and Warranty

The technical data and images which appear in this catalog are for informational purposes only. NO WARRANTIES, EXPRESSED OR IMPLIED, INCLUDING WARRANTIES OF MERCHANTABILITY OR FITNESS FOR A PARTICULAR PURPOSE, ARE CREATED BY THE DESCRIPTIONS AND DEPICTIONS OF THE PRODUCTS SHOWN IN THIS CATALOG. Conductix-Wampfler (“seller”) makes no warranty and assumes no liability as to the function of equipment or the operation of systems built according to customer design or of the ability of any of its products to interface, operate or function with any portions of customer systems not provided by Conductix-Wampfler.

Seller agrees to repair or exchange the goods sold hereunder necessitated by reason of defective workmanship, and material discovered and reported to Seller within one year after shipment of such goods to Buyer. Except where the nature of the defect is such that it is appropriate in Seller’s judgement to effect repairs on site, the seller’s obligation hereunder to remedy defects shall be limited to repairing or replacing (at Seller’s option), FOB point of original shipment by Seller, any part returned to Seller at the risk and cost of Buyer. Defective parts replaced by Seller shall become the property of Seller.

Seller shall only be obligated to make such repair or replacement of the goods which have been used by Buyer in service recommended by Seller and altered only as authorized by Seller. Seller is not responsible for defects which arise from improper installation, neglect, or improper use or from normal wear and tear.

Additionally, Seller’s obligation shall be limited by the manufacturer’s warranty (and shall not be further warranted by Seller) for all parts procured from others according to published data, specifications, or performance information not designed by or for Seller.

Seller further agrees to replace, or at Seller’s option to provide a refund of the sales price of any goods that did not conform to applicable specifications or which differ from that agreed to be supplied which non-conformity is discovered and forthwith reported to Seller within thirty (30) days after shipment to Buyer. Seller’s obligation to replace or refund the purchase price for non-conforming goods shall arise once Buyer returns such good FOB point of original shipment by Seller at the risk and cost of Buyer. Goods replaced by Seller shall be come property of Seller.

There is no guarantee or warranty as to anything made or sold by Seller, or any service performed, except as to title and freedom from encumbrances, and except as herein expressly stated and particularly without limiting the foregoing. There is no guarantee or warranty, express or implied, of merchantability or of fitness for any particular purpose or against claim of infringement or the like.

Seller makes no warranty (and assumes no liability) as to function of equipment or operation of systems built to Buyer’s design or of the ability of any goods to interface, operate or function with any portions of Buyer’s system not provided by Seller.

Seller’s liability on any claim; whether in contract (including negligence) or otherwise, for any loss or damage arising out of, connected with, or resulting from the manufacture, sale, delivery, resale, repair, replacement or use of any products or, services shall in no case exceed the price paid for the product or services or any part thereof which give rise to the claim. In no event shall Seller be liable for consequential, special, incidental or other damages, nor shall Seller be liable in respect to personal injury or damage to property on the subject matter hereof unless attributable to gross misconduct of Seller, which shall mean an act of omission by Seller demonstrating reckless disregard of the foreseeable consequences thereof.

Seller is not responsible for incorrect choice of models or where products are used in excess of their rated and recommended capacities and design functions or under abnormal conditions. Seller assumes no liability for loss of time, damage or injuries to property or persons resulting from the use of Seller’s products. Buyer shall hold Seller harmless from all liability, claims, suits and expenses in connection with loss or damage resulting from operation of products or utilization of services, respectively, of Seller and shall defend any suit or action which might arise there from Buyer’s name - provided that Seller shall have the right to elect to defend any such suit or action for the account of Buyer. The foregoing shall be the exclusive remedies of the buyer and all persons and entitles claiming through the Buyer.



Radio Remote Controls

Conductix-Wampfler USA has marketed ergonomic, economical, high quality, Radio Remote Controls since the early 1990's.

We offer a number of models to suit the unique needs of demanding industrial users. These units shipped from stock for quick delivery and are competitively priced.

The experienced engineering and sales people at Conductix-Wampfler are experts in the application of radio remote controls to all kinds of industrial applications

For more information, please contact Conductix-Wampfler.

All Conductix-Wampfler plants in the United States, Germany, France, and Italy are ISO 9001:2000 certified. Our stringent quality systems assure that you will get the right product every time. See Pg. 27 for a sampling of our other quality products.

Conductix-Wampfler USA, headquartered in Omaha, NE, started as "Industrial Electric Reels" (IER) and later merged with "Insul-8 Corporation", after relocating the Insul-8 plant to Harlan, IA. In 2006, the company, part of the Delachaux Group since 1975, was renamed "Conductix".

In 2007, with the merger of Conductix and Wampfler, the company is now the world leader in the design and manufacture of high performance energy and data transmission products for industrial applications.



Protean™ Series

Economical Protean™ Radio Remote Control transmitters are available in 4, 6, & 8 button single-speed configuration. 330 foot (100 meter) range. FCC 310-320 Mhz AC and DC models.



Protean™ HT and L8 Transmitters

2-motion, 2-speed HT and 3-motion 1-speed L8 models have positive detent positions, e-stop switch, and removable magnetic key. 330 foot (100 meter) range. FCC 310-320 Mhz AC and DC models.



L10 and L12 Series

The L10 Series is a 2-speed transmitter with 8 buttons for control of 3-4 motions. The L12 is also 2-speed, but has 12 buttons for control of up to 5 motions. FCC 310-320 Mhz AC models only.



L40 Series

A "belly box" style unit with 5-speeds, dual joystick. Up to 8 motions using A/B switches. FCC 310-320 Mhz AC models only.



K1 and K2 Series

The rugged K1/K2 radios have eight 1-speed or 2-speed buttons for control over 3-4 motions. 330 foot (100 meter) range; FCC 433-435 MHz. AC or DC models.



K3 and K4 Series

The K3/K4 has twelve 1-speed or 2-speed transmitter buttons for control over up to 5 motions. FCC 433-435 MHz. AC or DC models.

Your Applications - our Solutions

Compressed air and electric supply systems from Conductix-Wampfler represent only one of the many solutions made possible by the broad spectrum of Conductix-Wampfler components for the transport of energy, data and fluid media. The solutions we deliver for your applications are based on your specific requirements. In many cases, a combination of several different Conductix-Wampfler systems can prove advantageous. You can count on all of Conductix-Wampfler's Business Units for hands-on engineering support - coupled with the perfect solution to meet your energy management and control needs.



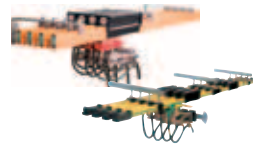
Cable reels

Motorized reels and spring reels by Conductix-Wampfler hold their own wherever energy, data and media have to cover the most diverse distances within a short amount of time - in all directions, fast and safe.



Festoon systems

It's hard to imagine Conductix-Wampfler cable trolleys not being used in virtually every industrial application. They're reliable and robust and available in an enormous variety of dimensions and designs.



Conductor rails

Whether they're enclosed conductor rails or expandable single-pole systems, the proven conductor rails by Conductix-Wampfler reliably move people and material.



Non-insulated conductor rails

Extremely robust, non-insulated conductor rails with copper heads or stainless steel surfaces provide the ideal basis for rough applications, for example in steel mills or shipyards.



Energy guiding chains

The "Jack of all trades" when it comes to transferring energy, data, air and fluid hoses. With their wide range, these energy guiding chains are the ideal solution for many industrial applications.



Slip ring assemblies

Whenever things are really "moving in circles", the proven slip ring assemblies by Conductix-Wampfler ensure the flawless transfer of energy and data. Here, everything revolves around flexibility and reliability!



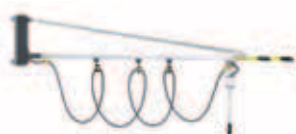
Inductive Power Transfer IPT®

The no-contact system for transferring energy and data. For all tasks that depend on high speeds and absolute resistance to wear.



Reels, retractors and balancers

Whether for hoses or cables, as classical reels or high-precision positioning aids for tools, our range of reels and spring balancers take the load off your shoulders.



Jib boom

Complete with tool transporters, reels, or an entire media supply system - here, safety and flexibility are key to the completion of difficult tasks.



Conveyor systems

Whether manual, semiautomatic or with Power & Free - flexibility is achieved with full customization concerning layout and location.

USA

10102 F Street
Omaha, NE 68127

CANADA

175 Blvd JF Kennedy
St. Jerome, QC J7Y 4B5

MEXICO

Calle Treviño 983-C
Zona Centro
Apodaca, NL Mèxico 66600

BRAZIL

Rua Luiz Pionti, LT 05, QD. L -
Vila Progresso
Itu, São Paulo, Brasil
CEP: 13.313-534
Customer Support

Distributed by Ergonomic Partners, Inc.
Email: sales@ergonomicpartners.com
Web: www.ergonomicpartners.com
PH: 314-884-8884 | FAX: 800-570-5584

